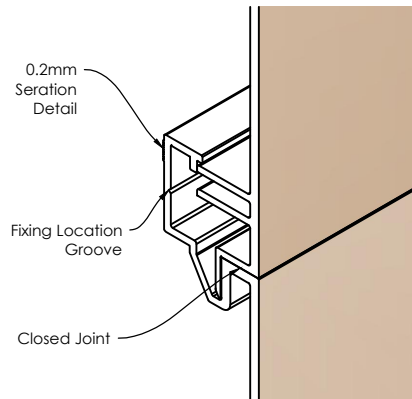
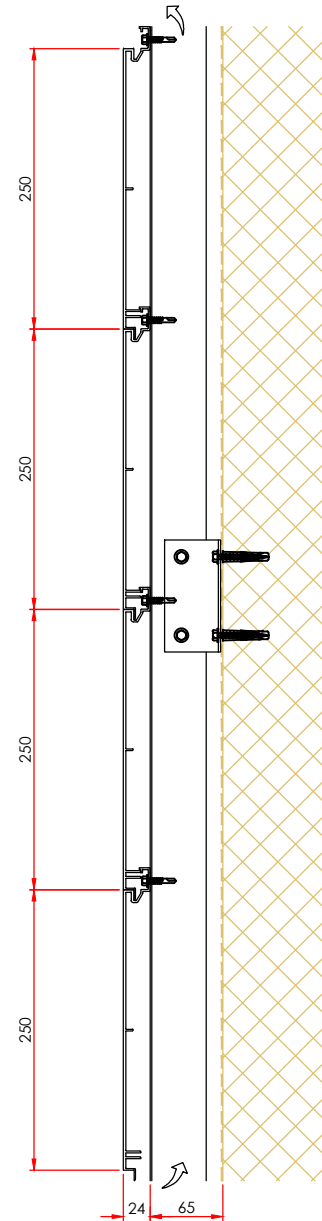


Extruded Cladding - 250mm Cover Width



Typical Closed Joint Arrangement



Typical Closed Panel Arrangement (1:5)

General Notes:

All dimension must be checked on site and any discrepancies reported to Fusion Facades Ltd. prior to commencement of site work.

Do not scale from this drawing - use figured dimensions only.

This drawing remains the property of Fusion Facades Ltd. and must not be copied or disclosed to a third party without prior consent.

If in doubt ask!

Assembly Recommendations:

P.V.C. isolating tape to be placed between dissimilar metal surfaces.

Use austenitic stainless steel fasteners with low profile heads where dissimilar metals are present - Supplier SFS Intec, Irius fixings.

Pre-drill holes for fixings. 1mm clearance around fixing to allow for expansion and thus prevent profile distortion.

Allow 1mm per metre expansion gap between profile lengths (e.g. 3mm gap between 3000mm profile lengths).

Apply low-modulus silicone sealant between union and profile.

For project specific requirements please contact Fusion Facades Ltd.

REVISION HISTORY			
Rev	Description	Date	Approved
-	-	-	-

FUSION facades
ENGINEERED INTERFACE SYSTEMS

Shawclough Trading Estate,
Shawclough Road,
Rochdale,
Lancashire.
OL12 6ND

Tel: 01706 869550
Fax: 01706 869551

e-mail: sales@fusionfacades.co.uk
web: www.fusionfacades.co.uk

Client: FUSION FACADES			
Project: LANDMARK V - EXTRUDED RAINSCREEN SYSTEM			
Title: Extruded Aluminium 250mm Cover Width Cladding - Closed Joint			
Drawing Status: ISSUE FOR INFORMATION			
Drawn by: S.N.	Checked by: -	Date: 22-05-12	Approved by: -
Sheet size: A3	Scale: As Shown	Sheet No. (of sheets): 1 (of 1)	Drawing No: LMIV-001